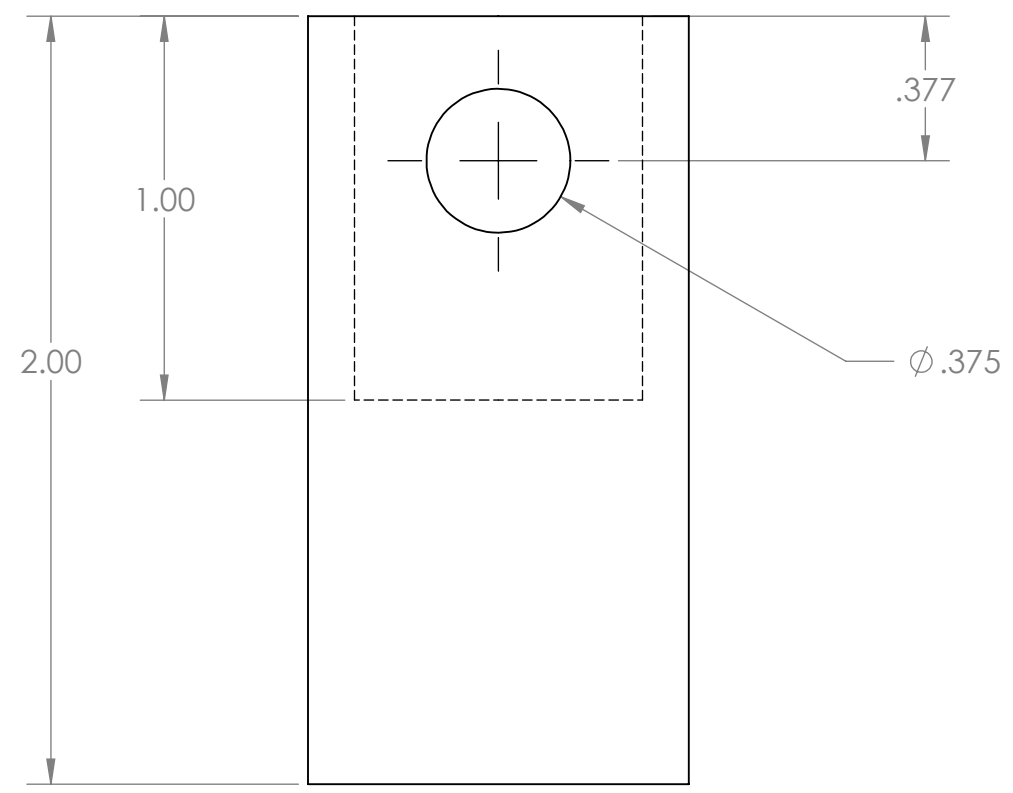
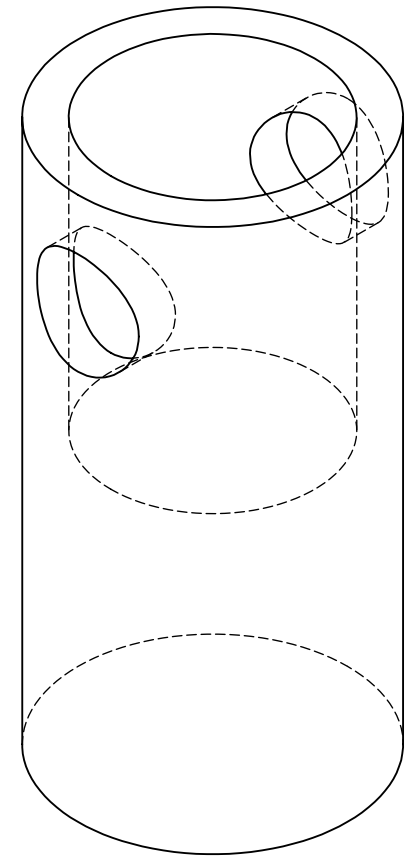
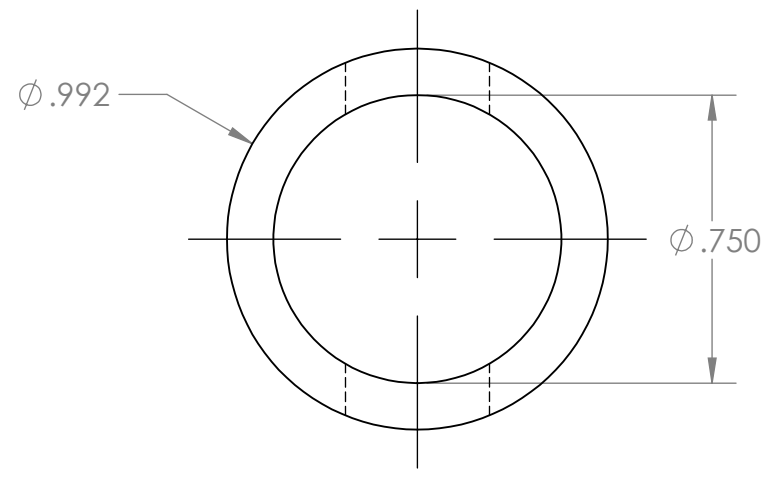


4

3

2

1



**PROPRIETARY AND CONFIDENTIAL**  
 THE INFORMATION CONTAINED IN THIS DRAWING IS THE SOLE PROPERTY OF <INSERT COMPANY NAME HERE>. ANY REPRODUCTION IN PART OR AS A WHOLE WITHOUT THE WRITTEN PERMISSION OF <INSERT COMPANY NAME HERE> IS PROHIBITED.

		UNLESS OTHERWISE SPECIFIED:		NAME	DATE	TITLE: <b>Cylindrical_Lug</b>		
		DIMENSIONS ARE IN INCHES TOLERANCES: 0.010 FRACTIONAL ± ANGULAR: MACH ± BEND ± TWO PLACE DECIMAL ± THREE PLACE DECIMAL ±		DRAWN	vonPlutzner			3/24/21
		INTERPRET GEOMETRIC TOLERANCING PER:		CHECKED				
		MATERIAL 6061 Aluminum Alloy		ENG APPR.				
NEXT ASSY	USED ON	FINISH		MFG APPR.	S. Earp	SIZE DWG. NO. REV		
APPLICATION		DO NOT SCALE DRAWING		Q.A.		SCALE: 2:1 WEIGHT: SHEET 1 OF 1		
				COMMENTS:				

4

3

2

1

B

B

A

A